



HAMSTER (TRIM/TRIMLESS) SERIES



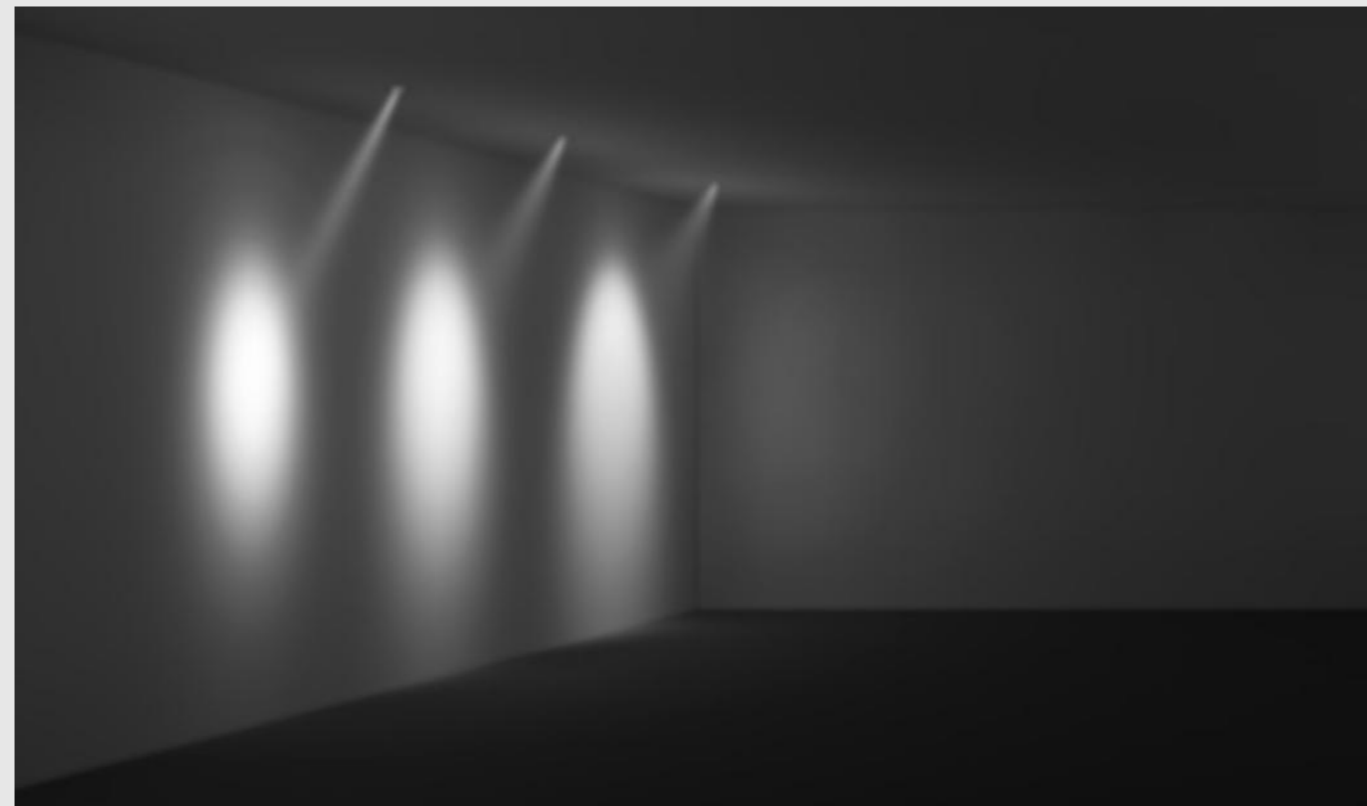
Trimless

Product features

HAMSTER recessed luminaire, Clear lines, brilliant light and precise light distributions set this luminaire apart as the ideal lighting tool for shops and museums. Thanks to the tiltable and rotatable luminaire head, the recessed spotlight can be adjusted individually. The highly efficient system consisting of collimating and interchangeable optical system (IO5) provides the designer with a wide variety of light distributions – be it for precise accent lighting using narrow spot, the wash lighting of horizontal product displays with oval flood or the uniform illumination of shelves using wall washing.

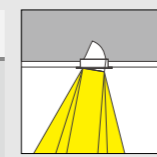
Range of Application

Commercial
Residential
Architectural
Museum / Art gallery



Accentuation

Emphasis of objects or architectural elements.



Recessed spotlights

Narrow to wide beam, Rotateally symmetrical light distribution for accent lighting.

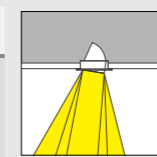
LED

Wattage:22-32W
Lumen:1588-2380lm
Light distribution:
Narrow
Medium
Flood



Accentuation

Emphasis of objects or architectural elements.



Recessed spotlights

Narrow to wide beam, Rotateally symmetrical light distribution for accent lighting.

LED

Wattage:22-32W
Lumen:1588-2380lm
Light distribution:
Narrow
Medium
Flood



Suitable for indoor use



Protection level is IP20



High efficiency Reflector



Comply with CE certification



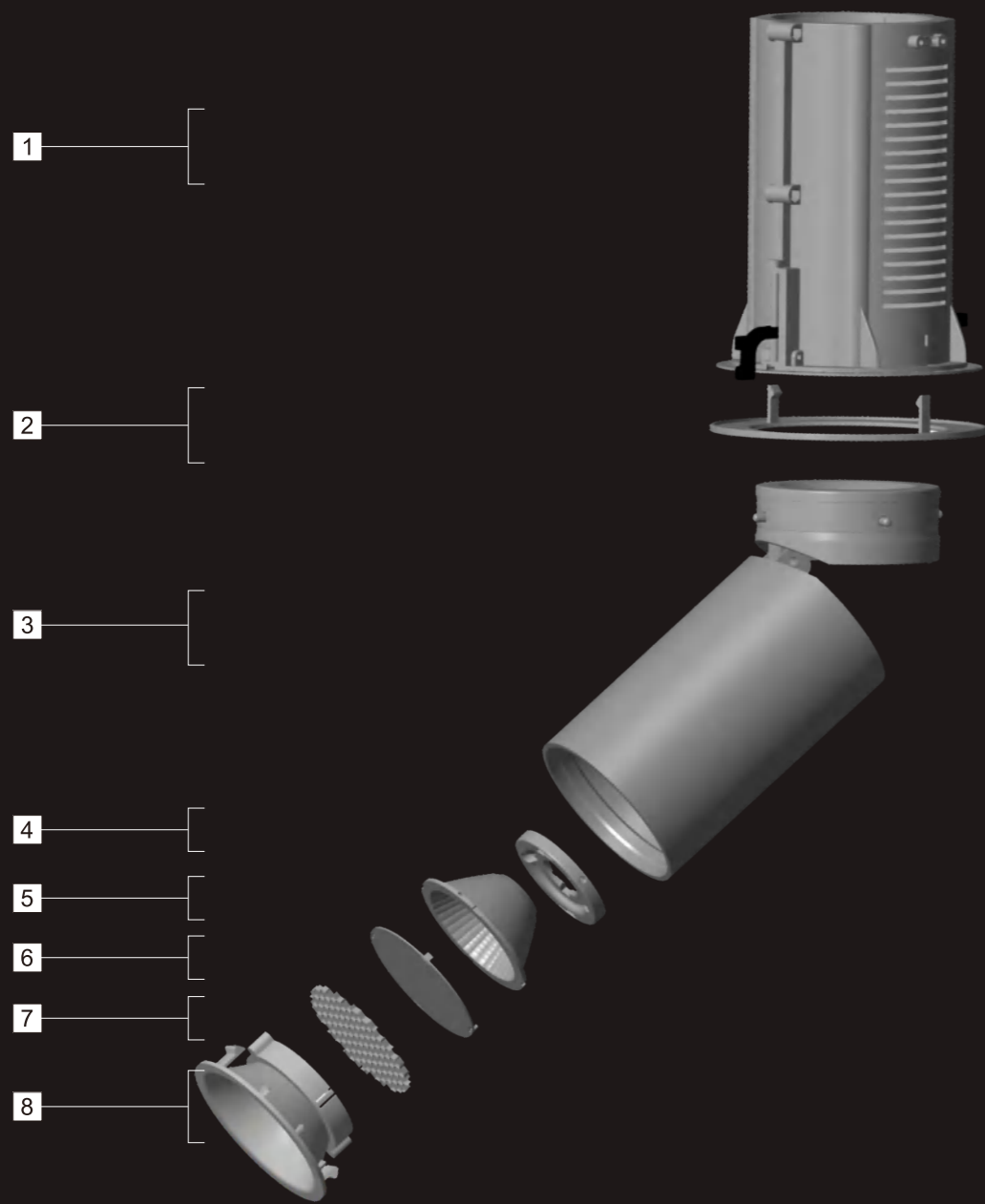
The electrical grade is class2



CRI > 80 (standard)
CRI > 90 (optional)



HAMSTER SERIES SMALL EXTRACTABLE PROJECTOR
LED DOWNLIGHT (TRIM / TRIMLESS)

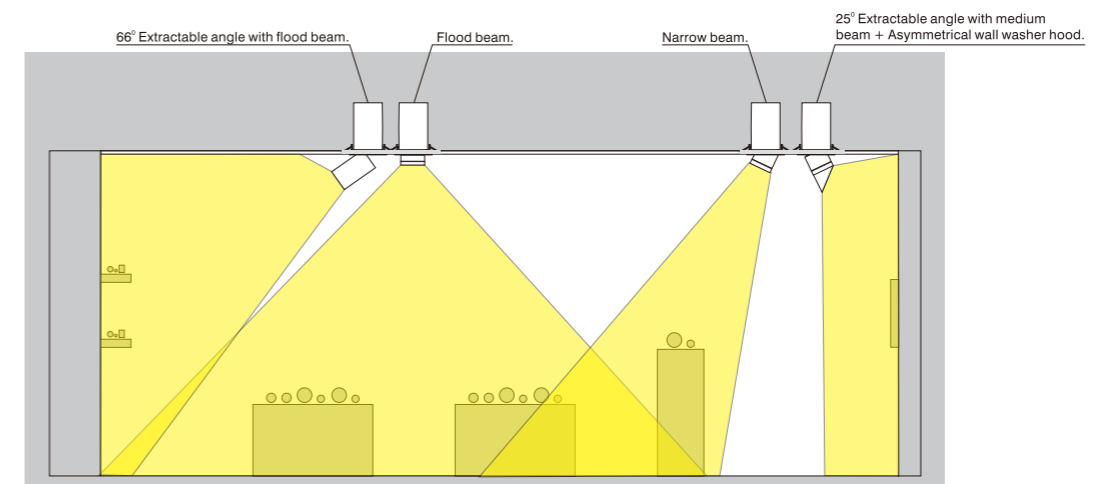
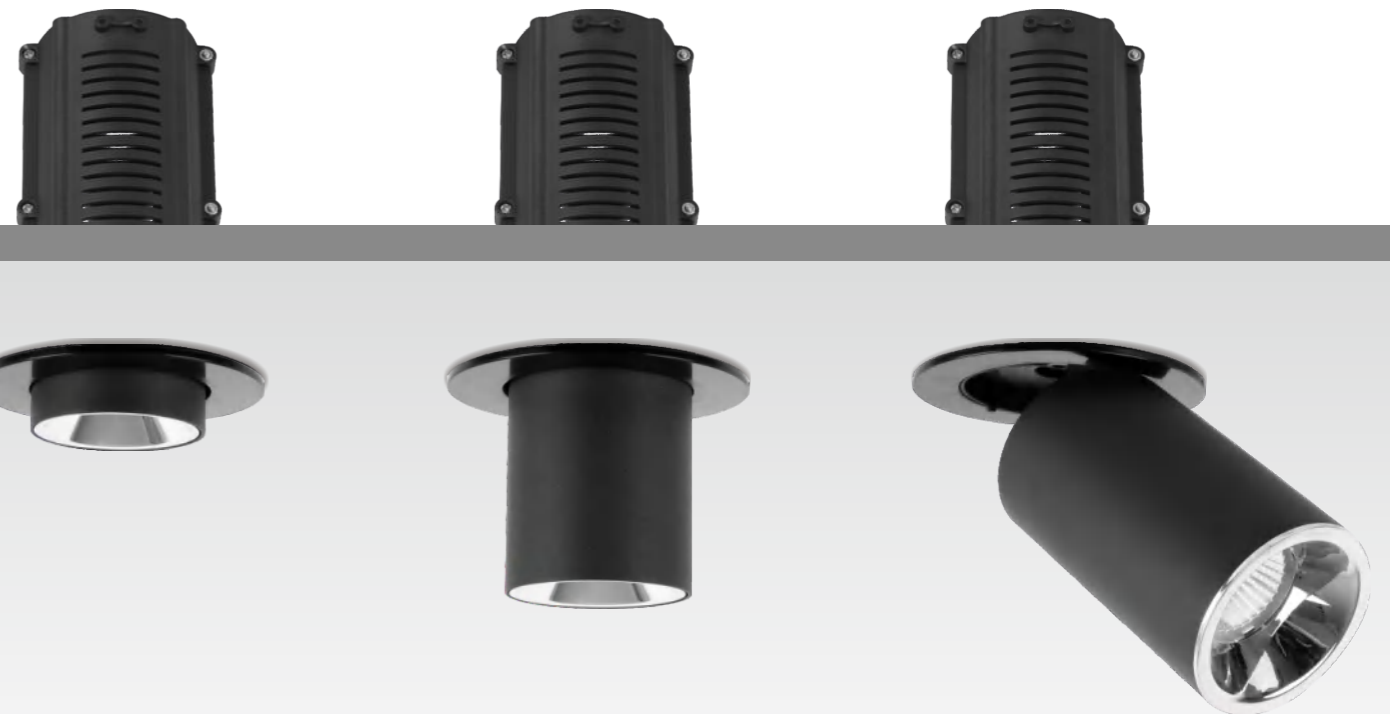


**Exploded
view**

- | | | | |
|---|-------------------------|---|-----------------------------|
| 1 | Rear cover of lamp body | 5 | Reflector |
| 2 | Front Ring | 6 | Filter |
| 3 | Lamp body | 7 | Honeycomb |
| 4 | Solder less connector | 8 | Secondary optical reflector |



HAMSTER SERIES MEDIUM EXTRACTABLE PROJECTOR
LED DOWNLIGHT (TRIM / TRIMLESS)



HAMSTER SERIES SMALL EXTRACTABLE PROJECTOR LED DOWNLIGHT (TRIM / TRIMLESS)

100



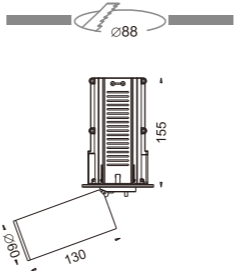
IP20 | CE | CB |

Trim: Polycarbonate
Body: Die-cast aluminium
Housing: Nylon
Optic: High efficiency Reflector
Weight: 0.60kg
CTN: 18PCS

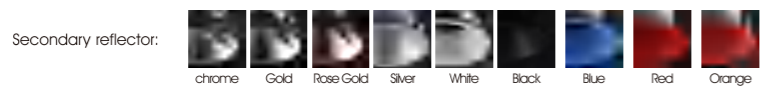
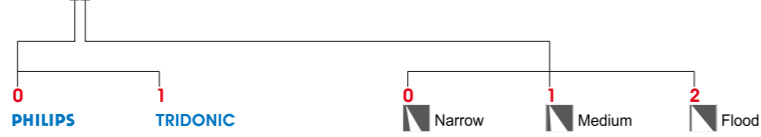
IO5 INTERCHANGABLE OPTICAL SYSTEM See P.012

White Black Silver

Note: min 80mm(ceiling clearance)



ORDERING CODE	Power (W)	Beam Angle (°)	CCT (K)	Hot Lumen (Lm)	LOR (%)	UGR	On/Off	DRIVER 1-10V	DALI	Triac
CDL1000-W/B/S-830	22	20	3000	1588	71%	<19	✓	✓	✓	✓
CDL1000-W/B/S-840			4000	1762						
CDL1000-W/B/S-850			5000	1862						
CDL1001-W/B/S-830	22	40	3000	1566	74%	<19	✓	✓	✓	✓
CDL1001-W/B/S-840			4000	1738						
CDL1001-W/B/S-850			5000	1797						
CDL1002-W/B/S-830	22	55	3000	1609	74%	<19	✓	✓	✓	✓
CDL1002-W/B/S-840			4000	1786						
CDL1002-W/B/S-850			5000	1846						



Optical accessories See P.012



PHILIPS SLM C 830 1204 L12 G1 3000K

Beam Angle	h(m)	E(lx)	D(mm)
20°	1.0	5129	490
	2.0	1282	980
	3.0	569	1470
40°	1.0	3643	690
	2.0	910	1390
	3.0	404	2080
55°	1.0	2387	960
	2.0	596	1930
	3.0	265	2890

HAMSTER SERIES MEDIUM EXTRACTABLE PROJECTOR LED DOWNLIGHT (TRIM / TRIMLESS)

120



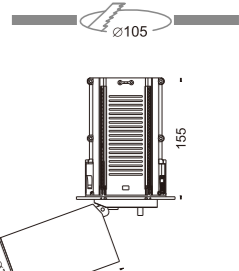
IP20 | CE | CB |

Trim: Polycarbonate
Body: Die-cast aluminium
Housing: Nylon
Optic: High efficiency Reflector
Weight: 0.73kg
CTN: 12PCS

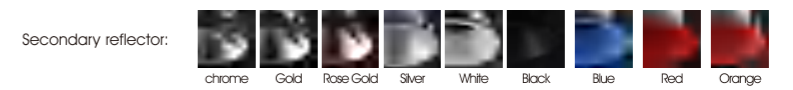
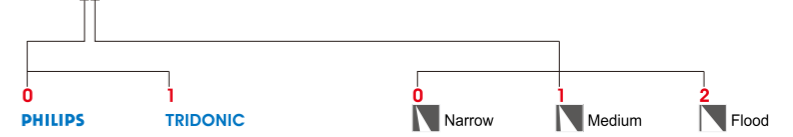
IO5 INTERCHANGABLE OPTICAL SYSTEM See P.012

White Black Silver

Note: min 80mm(ceiling clearance)



ORDERING CODE	Power (W)	Beam Angle (°)	CCT (K)	Hot Lumen (Lm)	LOR (%)	UGR	On/Off	DRIVER 1-10V	DALI	Triac
CDL1200-W/B/S-830	32	20	3000	2380	83%	<19	✓	✓	✓	✓
CDL1200-W/B/S-840			4000	2666						
CDL1200-W/B/S-850			5000	2719						
CDL1201-W/B/S-830	32	40	3000	2362	82%	<19	✓	✓	✓	✓
CDL1201-W/B/S-840			4000	2634						
CDL1201-W/B/S-850			5000	2687						
CDL1202-W/B/S-830	32	55	3000	2310	80%	<19	✓	✓	✓	✓
CDL1202-W/B/S-840			4000	2570						
CDL1202-W/B/S-850			5000	2621						



Optical accessories See P.012



PHILIPS SLM C 830 1205 L12 G1 3000K

Beam Angle	h(m)	E(lx)	D(mm)
20°	1.0	8617	380
	2.0	2154	760
	3.0	957	1140
40°	1.0	4910	660
	2.0	1227	1320
	3.0	545	1980
55°	1.0	3201	1040
	2.0	800	2080
	3.0	355	3120